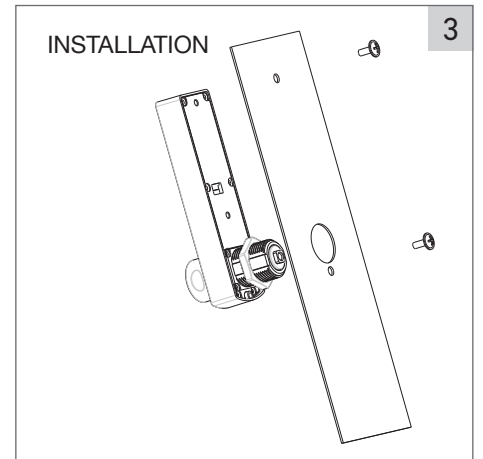
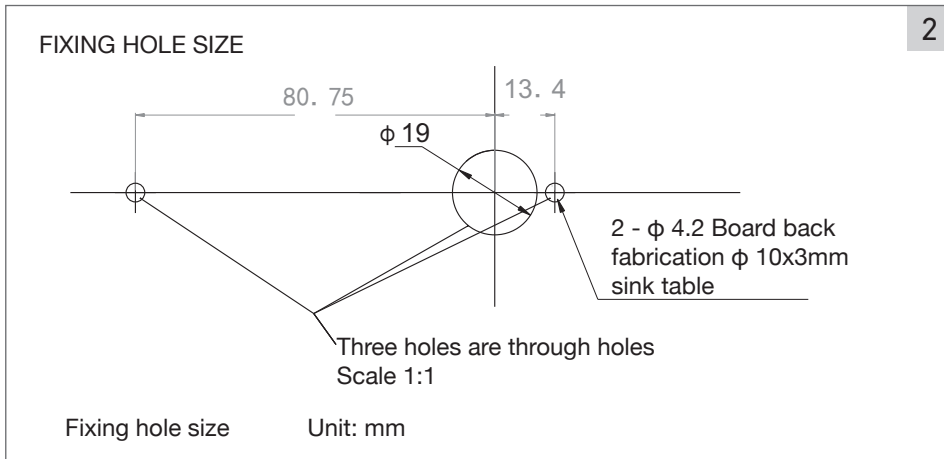
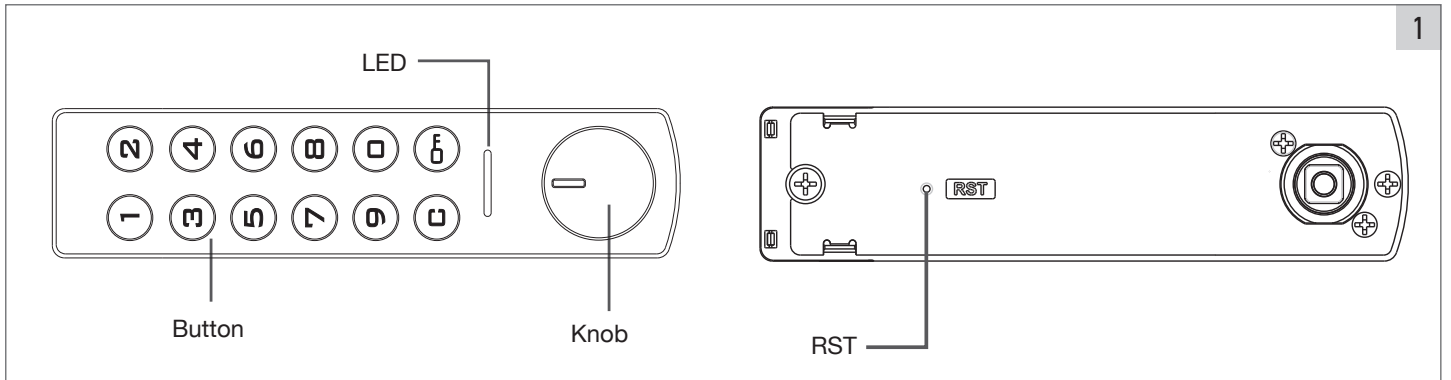


GAMMA





1

- Default with user password 1234 and master password 4321
- Both Public mode and Private mode available, default with private
- Press “C” during operation to exit.

UNLOCK

Input factory default password “1234 + ”

Buzzer gives out a long “di” sound and the green indicator light will turn on

Rotate the knob within 3 seconds to unlock

LOCK

Rotate back the knob to lock

NOTE:

1. When master password has been used, user password changes back to default “1234”
2. When password is wrong alarming you will hear “di..di..di” 3 times
3. When lock shows this red signal it means low voltage

1

PASSWORD SETTING

- For example: user password is changed to “123123”
- 1 - Input factory default user password “1234+C”, the buzzer will give out a long “di” sound, and green unlock flash
- 2 - Input new password e.g. “123123+☐”, when you hear a long “di” sound it means the password has already been changed.

NOTE:

Master password change follows the same steps

1. New password can consist of 4-15 digits
2. Please note that the master password can not be the same as the user password
3. The sound “di..di..di” three times means you have put in the wrong operation

2

TO TURN ON PUBLIC MODE

- 1 - Input master password + ☐, the buzzer will sound “di...”, unlocking green indicator light is on
- 2 - Press ☐ for at least 2 seconds until the green indicator light flashes
- 3 - Input “4 4”, press ☐, when you hear a long “di” sound, public mode has been set

NOTE:


1. This mode must be used with the master password, user password cannot be used
2. In public mode, input master password can unlock and clean the temporary password
3. Master password can be available if you change private mode to public mode

3

TO SET A TEMPORARY PASSCODE IN PUBLIC MODE

- 1 - Input the new password consisting of 4-15 digits, press ☐, when you hear a “di” sound, the green indicator light is on, the temporary password has been set.

NOTE:

1.  Flash one time every 3 seconds means the lock has already been taken
2. Temporary password can be used for one time only

4

TO TURN OFF PUBLIC MODE

- 1 - Input current management password + ☐, buzzer will give out a long “di” sound, and the green indicator light is on
- 2 - Press ☐ at least 2 seconds, unlocking green indicator is on
- 3 - Input “4 3” press ☐, when you hear a long “di” sound, it means public mode has been turned off

5

TO TURN ON FAKE PIN CODE FUNCTION

- 1 - Input current management password + ☐, buzzer will give out a long “di” sound, unlocking green indicator light is on
- 2 - Press ☐ for at least 2 seconds, until the green indicator light flashes
- 3 - Input “4 2” press ☐, when you hear a long “di” sound, it means fake pin code mode has been turned on

6

TO TURN OFF FAKE PIN CODE FUNCTION

- 1 - Input management password + ☐, buzzer gives out a long “di” sound, unlocking indicator light is on
- 2 - Press ☐ for at least 2 seconds, green indicator light will flash
- 3 - Input “4 1” + ☐, when you hear a long “di” sound, it means fake pin code mode has been turned off

NOTE:

Introduced with Anti-Theft technology and Fake PIN password function, you can input any code(s) before or after the real password to prevent unauthorised observation. Maximum 16 digits.

1

FORGOT PASSWORD

- 1 - Decode: If a password has been forgotten, you can get the decode number by providing the code on the lock body to the distributor to decode
- 2 - The password will be changed back to the original management password "4321" user password "1234"
- 3 - When user password has been forgotten, you can input a master password, the user password will be changed back to the original user password "1234"
- 4 - Use a pin to press the reset button to reset the lock

2

OTHER NOTES

- Automatic power shortage prompts (when lock shows this red signal) the lock cannot be operated when the voltage is very low
- Emergency power supply: When the battery is in low voltage condition, you can connect the Type-C port with an external power supply
- Auto-alarm will be activated when input wrong password 4 times, the lock will die for 60 seconds

SPECIFICATIONS

Default mode	Private
Working temperature	-20~+55°C
Working humidity	10%~85%RH
Storage temperature	-40~+55°C
Battery type	CR2032
Master password	4321
User password	1234
Static current	<10uA
Working current	<30mA
Batteries lifetime	1 year