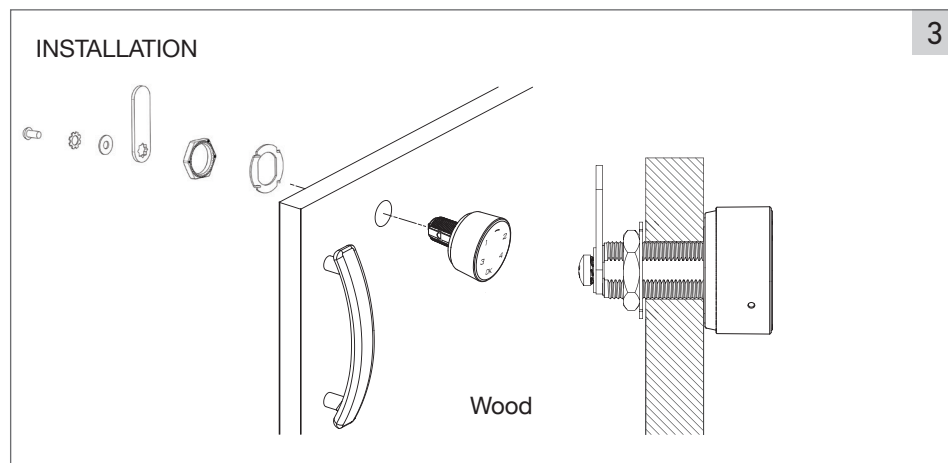
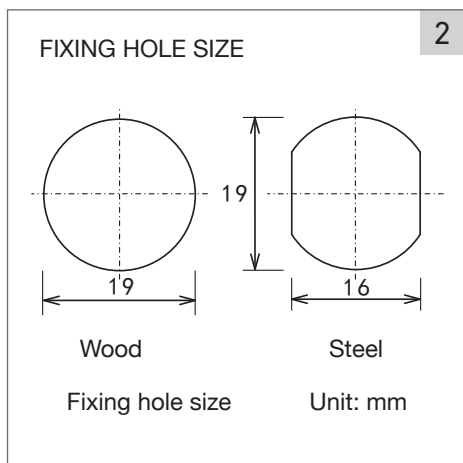
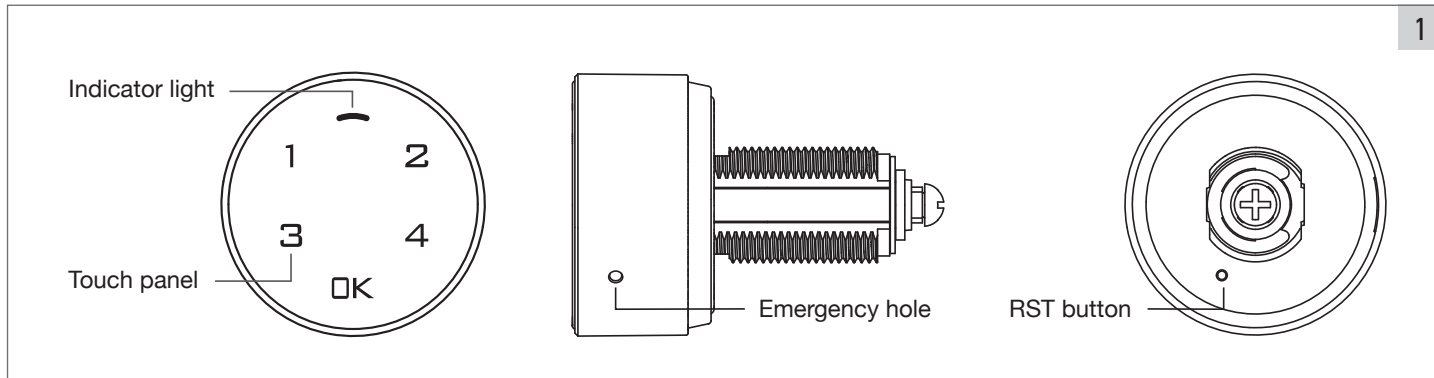


DELTA





DEFAULT CODES:

- User Pincode "1234 + OK"
- Management Pincode "4321 + OK"

UNLOCK AND LOCK

1 - Factory default password "1234" default management password "4321"

2 - Lock with public and private mode, default lock in private mode

TO UNLOCK

1. Input factory default password "1234 + OK"
2. Buzzer gives out a long "di" sound and the green indicator light will turn on
3. Rotate the knob within 3 seconds to unlock

TO LOCK

1. Rotate back the knob to lock position, the red indicator light flash

NOTE:

1. When password is wrong it will alarm you and will hear "di..di..di" 3 times
2. When lock shows this red signal , it means low voltage
3. When input management password to unlock, user password will be changed back to default "1234"

1

- 1 - Input current user password +OK or management password +OK, the buzzer will give out a long “di” sound, 🔔 will be on
- 2 - Press OK for at least 2 seconds, flash 🔔
- 3 - Input new password, press OK, when you hear a long “di” sound it means the password has been changed

NOTE:

- 1. Password can consist of 4-15 digits
- 2. Please note that the management password can not be the same as the user password

2

TO TURN ON PUBLIC MODE

- 1 - Input current management password + OK and the buzzer will sound “di...”, unlocking indicator light 🔔 is on
- 2 - Press OK for at least 2 seconds, the indicator light 🔔 will flicker, press OK again
- 3 - Input “4 4”, press OK, when you hear a long “di” sound, public mode has been set

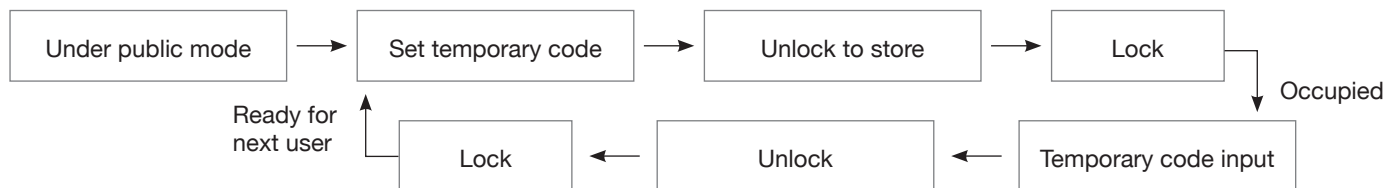
3

TO SET A TEMPORARY PASSWORD

- 1 - Press OK. Unlocking the indicator light 🔔 will flicker
- 2 - Input the new password consisted of 4 -15 digits
- 3 - Press OK, you will hear a “di” sound, unlocking indicator light 🔔 is on, temporary password has already been set

NOTE:

- 1. 🔔 If indicator flashes one time every 3 seconds means the lock has already been taken
- 2. Temporary password can be used for one time only



4

TO TURN OFF PUBLIC MODE

- 1 - Input current management password + OK, buzzer gives out a long “di” sound, unlocking indicator light is on 🔔
- 2 - Press OK for at least 2 seconds, unlocking indicator light 🔔 will flicker, press OK again
- 3 - Input “4 3” press OK, when you hear a long “di” sound, it means public mode has been turned off

5

TO TURN ON/OFF FAKE PIN CODE FUNCTION

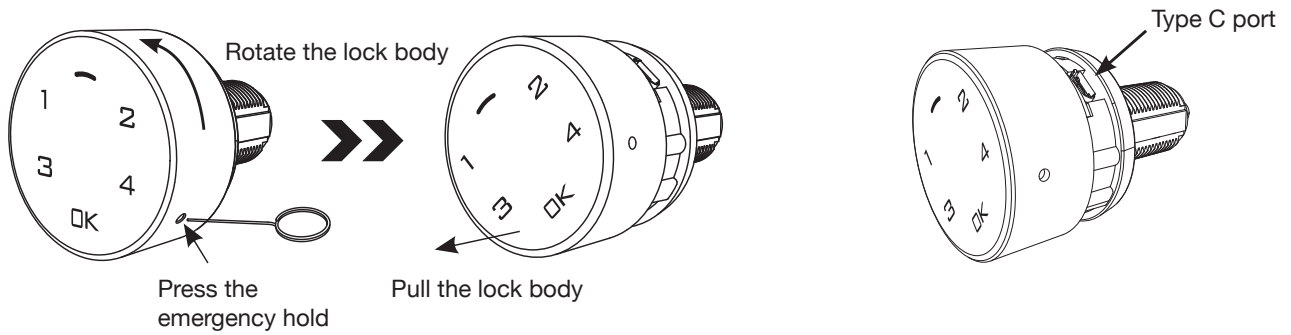
- 1 - Input current management password + OK, buzzer gives out a long “di” sound, unlocking indicator light is on 🔔
- 2 - Press OK for at least 2 seconds, unlocking indicator light 🔔 will flicker, press OK again
- 3 - Input “4 2” press OK, when you hear a long “di” sound, it means FAKE PIN code mode has been turned on
- 4 - Input “4 1”, press OK, when you hear a long “di” sound it means FAKE PIN code mode has been turned off

NOTE:

Introduced with Anti-theft technology and FAKE PIN password function, you can input any code(s) before or after the real password to prevent unauthorised observation. Maximum 16 digits.

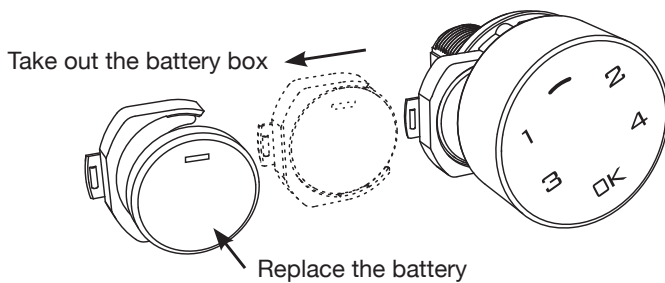
FORGOT PASSWORD

- 1 - Decode: If a password has been forgotten, you can get the decode number by providing the code on the lock body to the distributor to decode
- 2 - The password will be changed back to the original management password “4321” user password “1234”
- 3 - When user password has been forgotten, you can input a master password, the user password will be changed back to the original user password “1234”
- 4 - Use a pin to press the reset button to reset the lock



OTHER NOTES

- 1 - Auto-alarm will be activated when input wrong password 4 times and the lock will die for 60 seconds
- 2 - Automatic power shortage prompts (when locked, it will show a red signal). The lock cannot be operated when the voltage is very low. Equipped with CR2450 battery, the last password will not be lost after changing the battery



COMMON PROBLEMS

PROBLEM	PRIMARY CAUSE	SOLUTION
When inputting a password and the signal is red and flickers one time	Low Voltage	Replace batteries
When inputting the password and the alarm sounds “di”, and the signal is on, lock cannot be operated	Knob is not in the right position	Turn knob in the right position
Touch button without sound, lock can be operated	Buzzer is broken	Change the buzzer